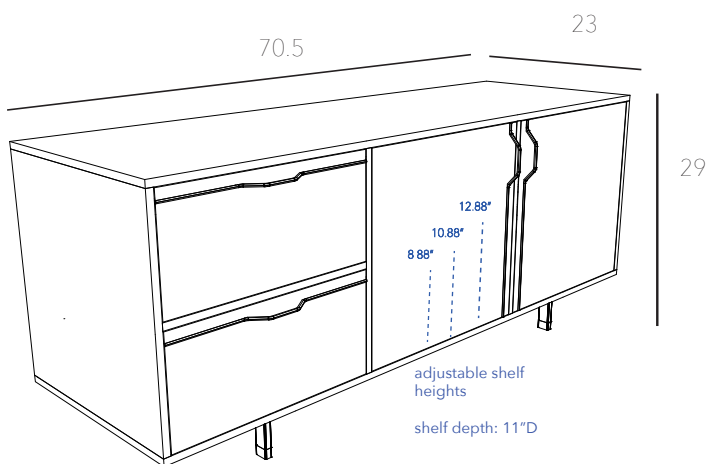




CHAPMAN 3 UNIT CREDENZA



- | | | | | |
|-------------------------|-------------------------|------------------------|---------------------|-----------|
| Red (RD)
RAL 3020 | White (WH)
RAL 9016 | Black (BL)
RAL 9017 | Rose' Copper (CP) | Navy (NV) |
| Orange (OR)
RAL 2011 | Yellow (YL)
RAL 1018 | Green (GN)
RAL 6018 | Brassy Gold (GD) | Grey (GY) |
| Prairie Green (PG) | Pink (PK) | Blood Red (BR) | Mustard Yellow (MU) | |
| White Oak (WO) | Walnut (WAL) | Maple (MPL) | | |

3/4" veneer core plywood, powder-coated steel
 storage options: Doors (DO) or Drawers (DW)
 lead time: 3-4 weeks
 sample SKU: CHP_3U_3DW_MPL_CP

